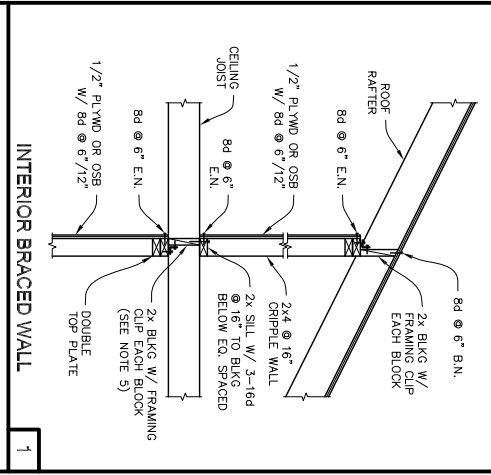
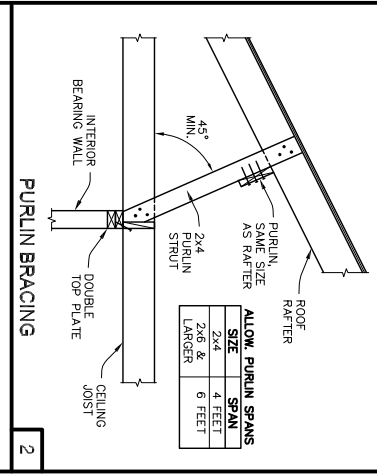


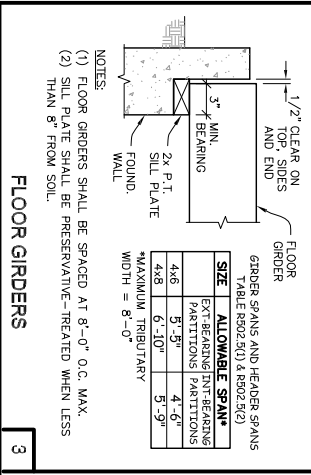
SINGLE STORY CONVENTIONAL WOOD-FRAME CONSTRUCTION SHEET



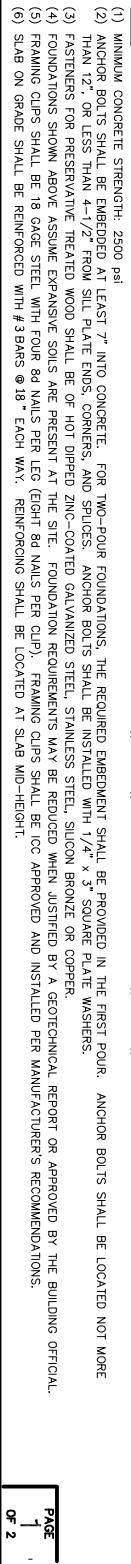
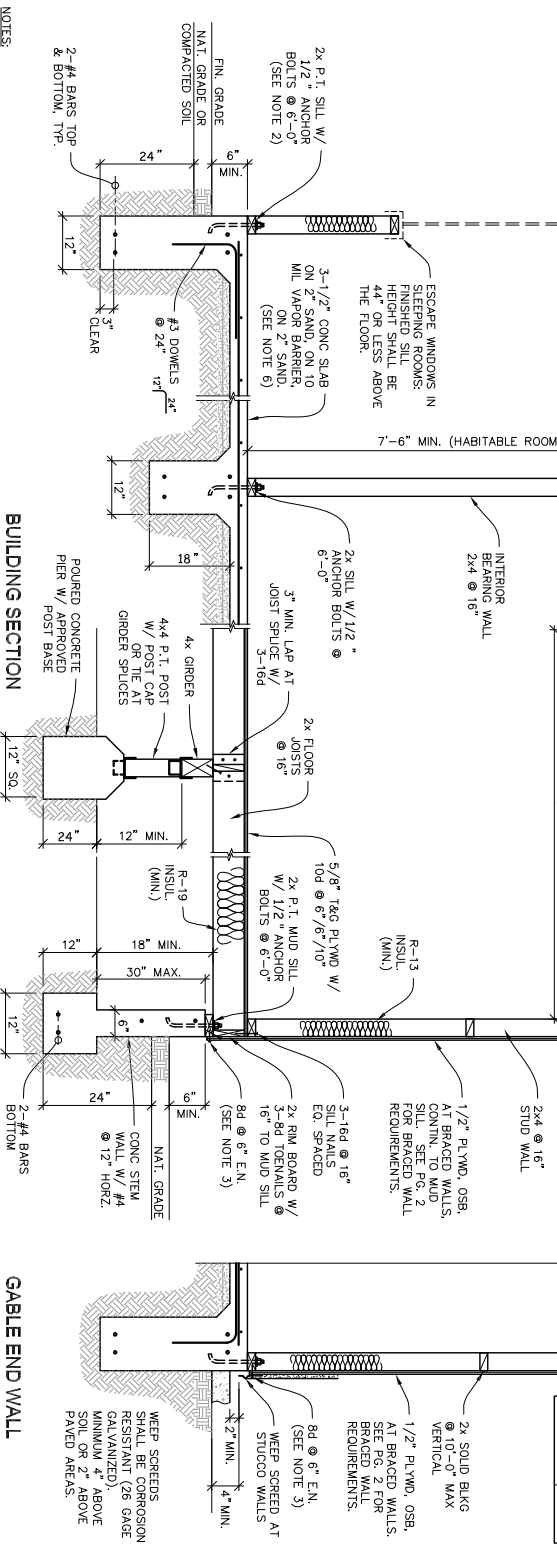
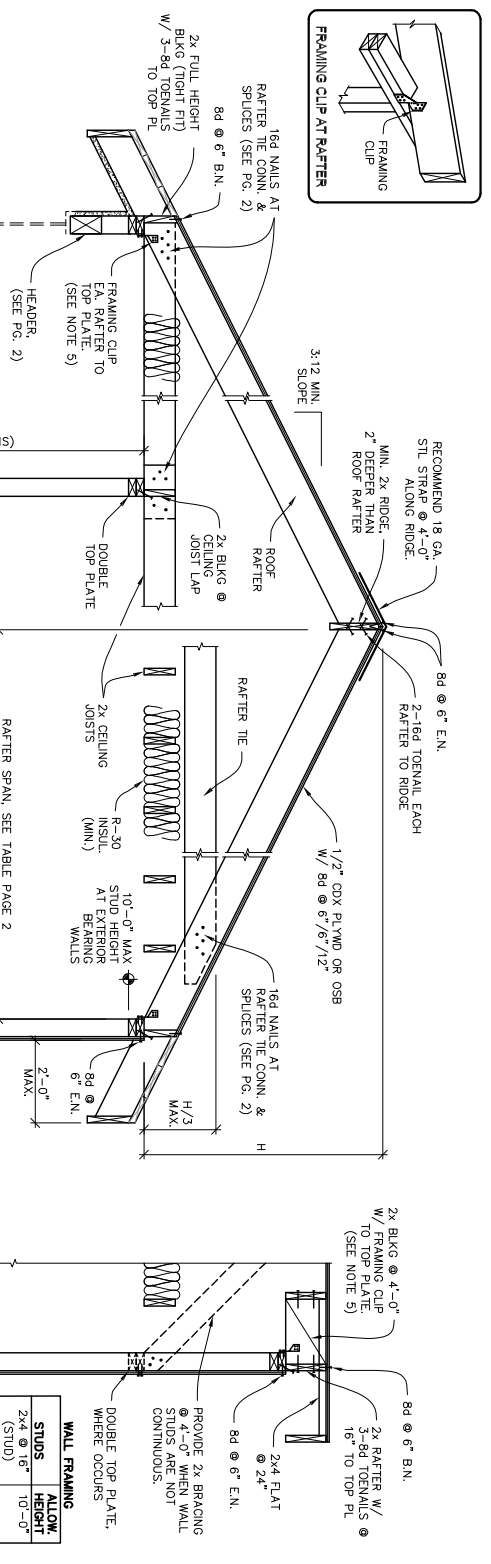
1



2



3



- NOTES:
- (1) MINIMUM CONCRETE STRENGTH: 2500 psi
 - (2) ANCHOR BOLTS SHALL BE EMBEDDED AT LEAST 7" INTO CONCRETE. FOR TWO-POUR FOUNDATIONS, THE REQUIRED EMBEDMENT SHALL BE PROVIDED IN THE FIRST POUR. ANCHOR BOLTS SHALL BE LOCATED NOT MORE THAN 12" OR LESS THAN 4-1/2" FROM SLAB ENDS, CORNERS, AND SPICES. ANCHOR BOLTS SHALL BE INSTALLED WITH 1/4" x 3" SQUARE PLATE WASHERS.
 - (3) FOUNDATIONS FOR PRESERVATIVE-TREATED WOOD SHALL BE OF HOT DIPPED GALVANIZED STEEL, STAINLESS STEEL, SILICON BRONZE OR COPPER.
 - (4) FOUNDATIONS SHOWN ABOVE ASSUME EXPANSIVE SOILS ARE PRESENT AT THE SITE. FOUNDATION REQUIREMENTS MAY BE REDUCED WHEN JUSTIFIED BY A GEOTECHNICAL REPORT OR APPROVED BY THE BUILDING OFFICIAL.
 - (5) FRAMING CLIPS SHALL BE 18 GAGE STEEL WITH FOUR 8d NAILS PER LEG (EIGHT 8d NAILS PER CLIP). FRAMING CLIPS SHALL BE IC APPROVED AND INSTALLED PER MANUFACTURER'S RECOMMENDATIONS.
 - (6) SLABS ON GRADE SHALL BE REINFORCED WITH #3 BARS @ 18" EACH WAY. REINFORCING SHALL BE LOCATED AT SLAB MID-HEIGHT.

TABLE 1: ALLOWABLE PURLIN SPANS

SIZE	ALLOWABLE SPAN	EXT. BEARING PARTITIONS	MAXIMUM TRIBURARY
2x4	4 FEET	4'-6"	8'-0"
2x6 & LARGER	6 FEET	5'-9"	8'-0"

TABLE 2: ALLOWABLE FLOOR GIRDER SPANS

SIZE	ALLOWABLE SPAN	EXT. BEARING PARTITIONS	MAXIMUM TRIBURARY
4x6	5'-9"	4'-6"	8'-0"
4x8	6'-10"	5'-9"	8'-0"

TABLE 3: ALLOWABLE STUDS

ALLOWABLE STUDS	ALLOWABLE WALL HEIGHT
2x4 @ 16" (STUD)	10'-0"

THIS SHEET IS A SUMMARY OF THE PROVISIONS OF THE ONLY CRC FOR USE WITH SINGLE-STORY CONSTRUCTION. DEAD LOAD SHALL NOT EXCEED 15 PSF FOR AVERAGE ROOF AND CEILING, OR EXTERIOR WALLS OR FLOORS AND PARTITIONS. FLOOR LIVE LOAD SHALL NOT EXCEED 40 PSF. THIS SHEET IS FOR REFERENCE ONLY AND IS NOT A SUBSTITUTE FOR ACCURATE DRAWINGS PREPARED FOR EACH PROPOSED CONSTRUCTION PROJECT.

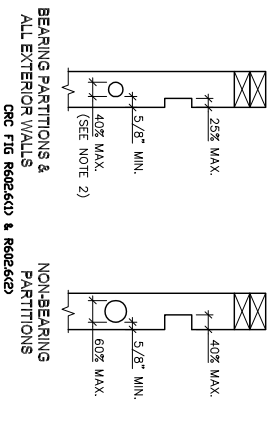
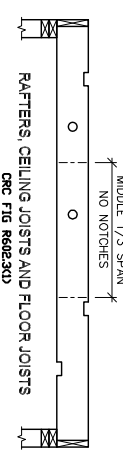
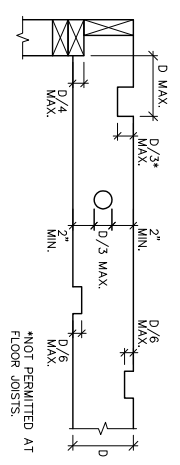


TYPE V SHEET / LIGHT FRAME CONSTRUCTION

HELP FOR THE HOMEOWNER

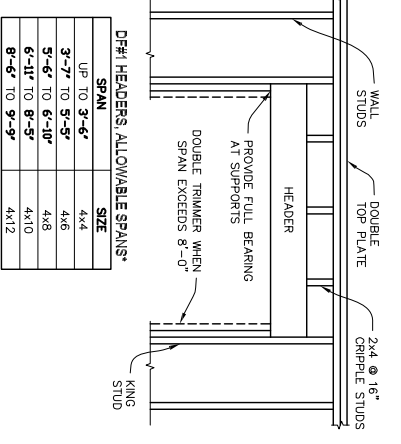
MOOREPARK BUILDING & SAFETY

SINGLE STORY CONVENTIONAL WOOD-FRAME CONSTRUCTION SHEET



NOTES:
 (1) BORED HOLES SHALL NOT BE LOCATED AT THE SAME SECTION OF STUDS.
 (2) BORED HOLES IN BEARING STUDS MAY BE INCREASED TO 60% IF STUDS ARE DOUBLED; NO MORE THAN TWO SUCCESSIVE DOUBLED STUDS MAY BE BORED.

NOTCHING AND HOLES



HEADER/LINTEL

3

GENERAL NOTES:
 (1) SEE FASTENING SCHEDULE (TABLE R602.3(1)) FOR NAILING NOT SHOWN.
 (2) BEARING WALLS AND BRACED WALLS REQUIRE CONTINUOUS FOOTINGS.
 (3) "DF" ON THESE SHEETS REFERS TO DOUGLAS FIR-LARCH, SAWN LUMBER SHALL BE IDENTIFIED BY THE GRADE MARK OF AN APPROVED LUMBER GRADING OR INSPECTION AGENCY.
 (4) "DL" AND "LL" ON THESE SHEETS INDICATES "DEAD LOAD" AND "LIVE LOAD," RESPECTIVELY.
 (5) WOOD MEMBERS SHALL BE OF SUFFICIENT SIZE TO PREVENT SPLITTING DUE TO NAILING. SPLIT MEMBERS SHALL BE REMOVED AND REPLACED.
 (6) "P-1" ON THESE SHEETS INDICATES PRESERVATIVE-TREATED WOOD.
 (7) WALLS FRAMED WITH ENGINEERED WOOD TRUSSES, ROOF DIAPHRAGMS SHALL BE CONNECTED TO INTERIOR BRACED WALLS BY MEANS OF DRAG TRUSSES OR TRUSS BLOCKING.

DF#2 RAFTERS, ALLOWABLE SPANS*

RAFTER	2x4	2x6	2x8	2x10	2x12
12"	10'-0"	16'-7"	21'-0"	25'-8"	-
16"	9'-0"	14'-4"	18'-2"	22'-3"	25'-9"
24"	8'-6"	11'-9"	14'-10"	18'-2"	21'-0"

* DATA TAKEN FROM TABLE R602.5(1)

DF#2 CEILING JOISTS, ALLOWABLE SPANS*

JOIST	2x4	2x6	2x8	2x10	2x12
12"	12'-5"	19'-6"	25'-8"	-	9'-10"
16"	11'-3"	17'-8"	23'-0"	-	8'-9"
24"	9'-10"	14'-10"	18'-9"	22'-11"	10'-6"

* DATA FROM CRC TABLE R602.4(2) ATTICS WITH STORAGE ARE THOSE WHERE THE CLEAR HEIGHT CEILING DEAD LOAD SHALL NOT EXCEED 5 PSF.

RAFTER-TIE CONNECTIONS, #18 COMMON WALLS, SEE NOTE 1(1)

TIE	3:12	4:12	5:12	7:12	9:12	12:12
SPACING	12"	20"	28"	12"	20"	28"
12"	4	6	8	3	4	3
16"	5	8	10	4	5	3
24"	7	11	15	5	8	4

DF#2 FLOOR JOISTS, ALLOWABLE SPANS*

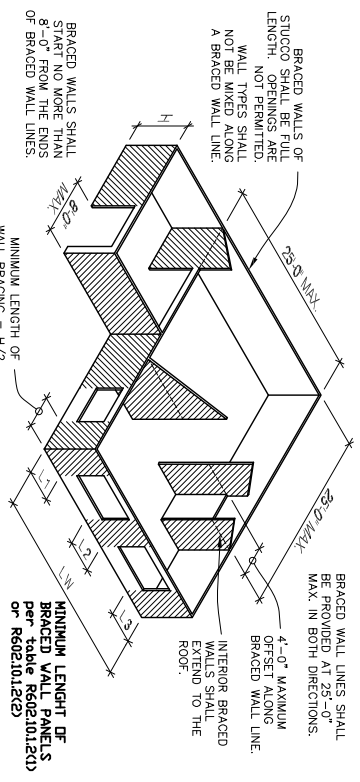
JOIST	2x6	2x8	2x10	2x12
12"	10'-9"	14'-2"	17'-9"	20'-7"
16"	9'-9"	12'-7"	15'-5"	17'-10"
24"	8'-1"	10'-3"	12'-7"	14'-7"

* DATA FROM CRC TABLE R602.5(2)

PLYWOOD OR OSB FLOOR AND ROOF SHEATHING, ALLOWABLE SPANS*

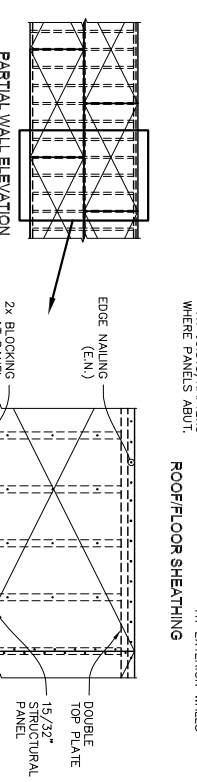
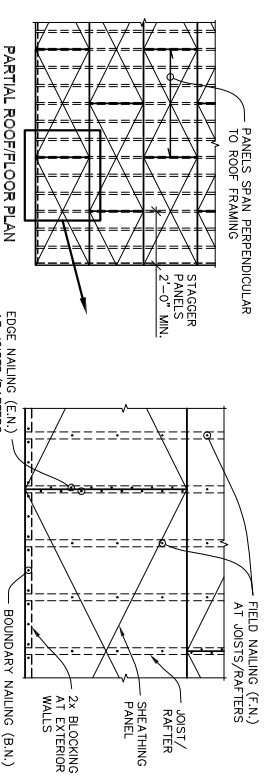
SHEATHING GRADES	ROOF			FLOOR		
	MAX. SPAN (ft.)	WHOLE EDGE SUPPORT	W/OUT WHOLE EDGE SUPPORT	LOADS (psf.)	LIVE LOAD	PANEL EDGES WITH 1/8" JOISTS OR MAX. SPAN (ft.)
SPAN RATING	3/8	24	20	40	30	0
THICKNESS	3/8	24	20	40	30	0
24/0	7/16	24	24	50	40	16
32/16	19/32, 1/2	32	32	50	30	16
40/20	19/32, 5/8	40	40	40	30	20
48/24	23/32, 3/4	48	36	45	35	24

* DATA FROM CRC TABLE R602.3(1) SHEATHING PANELS SHALL BE CONTINUOUS OVER TWO OR MORE SPANS AND PERPENDICULAR TO SUPPORTS. FOR 1/2" SHEATHING, MAXIMUM SPAN SHALL BE 24". EDGE SUPPORT MAY BE PROVIDED BY TONGUE AND GROOVE EDGES, 2X BLOCKING, OR PANEL EDGE CLIPS.



BASIC COMPONENTS OF THE LATERAL BRACING SYSTEM

1



NOTES:
 (1) NAILS SHALL BE PLACED 3/8" FROM PANEL EDGES.
 (2) PROVIDE 1/8" GAP BETWEEN SHEATHING PANELS.
 (3) MINIMUM DIMENSION OF SHEATHING PANEL IN ANY DIRECTION SHALL BE 2'-0"
 (4) WALL SHEATHING PANELS MAY BE INSTALLED WITH THE LONG DIRECTION ORIENTED VERTICALLY.

PAGE 2 OF 2